



Temperature Recorders (991T Series)

Applications

- Recording process temperature continuously
- Gas, chemical process

Working Pressure

- Maximum scale value

Standard Specification Overview

Dial Size

- Rectangular (246mm x 271mm)

Reference Accuracy

- $\pm 2.0\%$ of Full Scale

Scale Ranges

- $-50 \sim 0 \sim 600^{\circ}\text{C}$

Pressure Connection

- PT ("R" in ISO) 1/2", NPT 1/2"

Chart Drive

- Spring Wound type
- 24 hours or 168 (70day) hours rotation

Chart paper

- 200mm circular

Material

- Case : Aluminum Alloy
- Ring (Cover) : Aluminum Alloy
- Window : Acrylic
- Pointer : Aluminum Alloy, Black Finished
- Connection : 304 SS
- Stem : 304 SS
- Element (Bourdon Tube) : 304 SS
- Movement : Brass (CR Planting)

Optional Extra

- Test Report by Manufacturer
- Test Report by KOLAS (ILAC-MRA)
- OEM Service for a specific customer

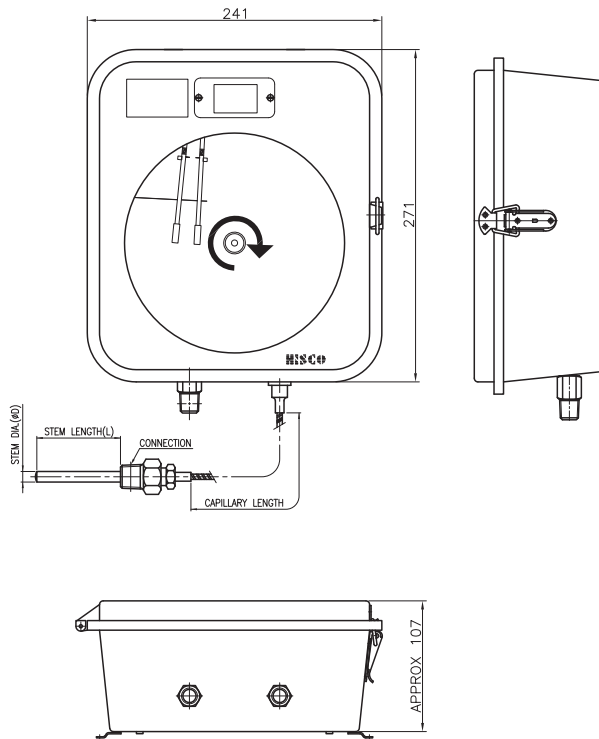
Ordering Information for 991T Series

● = Standard Products ▲ = Available NA = Not Available

Model	Description	Accuracy	Case & Ring	Stem Material	
991T	Temperature Recorders	± 2.0% of F.S.	ALDC	316 SS	
Code	Mounting Type			991T	
A	Bottom Connection Stem Mounting			●	
B	Bottom Connection Remote Surface Mounting			●	
Code	Process Connection Style			All	
2	PT ("R" in ISO Standard)			●	
4	NPT			●	
Code	Process Connection Size			All	
D	3/8"			▲	
F	1/2"			●	
H	3/4"			▲	
Code	Range				
XXX	Refer to the Temperature Range Code Table				
Code	Capillary Length			All	
00	N/A			●	
10	1M			▲	
15	1.5M			▲	
20	2M			▲	
30	3M			▲	
40	4M			▲	
50	5M			▲	
60	6M			▲	
XX	Others			☺	
Code	Sensor (Stem) Outer Diameter			All	
M8	8.0mm			●	
M1	10.0mm			▲	
M2	12.0mm			▲	
Please request for other size of stem out Diameter.					
Code	Sensor (Stem) Length				
0100	100mm	0450	450mm	0800	800mm
0150	150mm	0500	500mm	0850	850mm
0200	200mm	0550	550mm	0900	900mm
0250	250mm	0600	600mm	0950	950mm
0300	300mm	0650	650mm	1000	1000mm
0350	350mm	0700	700mm	XXXX	Other (specify the length in mm or inch)
0400	400mm	0750	750mm		

Code	Applicable Accessory Options	All
W1	With Thermowell (Refer to the accessory model 100)	▲
J1	Swivel Nut	▲
J2	Compression Fitting	▲
J3	Adjustable Union	▲
J4	Screw Union for 3/4"	▲
J0	N/A	●
Code	Options	All
Test Reports		
T1	Test Report by Manufacturer	▲
T2	Test Report by KOLAS (ILAC-MRA)	▲
Sample Model Selection : 990TB2F11710M80100J0		
* The standard specification and price are subject to change without prior notice		

Temperature Recorders (991T Series)



HISCO HISCO, INC.

15-5, Yangpyeong-dong, 4-ga, Yeongdeungpo-gu, 150-866 Seoul, Korea
T : 82-2-2677-6046 F : 82-2-2672-1873 <http://www.hiscoi.com>