

Indicating Temperature Switches (601T (Single Set Point)), 602T ((Dual Set Point) Series)

Applications

- Where signal is required (audible or visual alarm)
- Chemical process, petroleum food industry
- Oil, sugar refinery
- Machine and plant engineering
- Piping, pressure vessels and industrial heating

Working Range

- Maximum scale value



Standard Specification Overview

Dial Size

- 100mm, 150mm

Repeatability

- $\pm 2.0\%$ of Full Scale

Scale Ranges

- $-30 \sim 0 \sim 650^{\circ}\text{C}$

* For more information, see the ordering information table.

Process Connection

- PT ("R" in ISO) 1/2", NPT 1/2"

Conduit Connection

- PF 1/2" (STD)

Contact

- Micro Contact Type
- One SPDT or Two SPDT

Dead Band

- 3% of Full Scale

Material

- Case : Aluminum Alloy
- Ring (Cover) : Aluminum Alloy
- Connection : 304 SS
- Stem : 304 SS
- Window : Polycarbonate
- Dial : White Aluminum with Black Graduations
- Pointer : Aluminum Alloy, Black Finished

Contact Rating

- AC 125V, 5A / 250V, 3A
- DC 30V, 4A / 125V, 0.4A / 250V, 0.2A

Optional Extra

- Test Report by Manufacturer
- Test Report by KOLAS (ILAC-MRA)
- Stem Material (316 SS)
- OEM Service for a specific customer
- High Accuracy ($\pm 1.0\%$ of F.S.) Calibration

Ordering Information for 601T, 602T Series

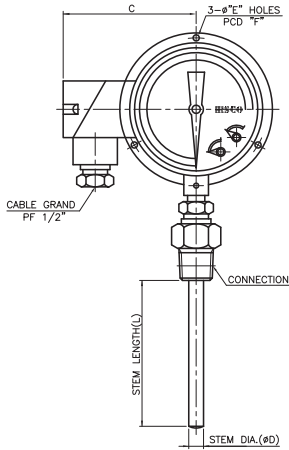
● = Standard Products ▲ = Available NA = Not Available

Model	Description	Case & Ring	Stem Material		
601T	Indicating Temperature Switches	ALDC	304 SS		
602T	Indicating Temperature Switches	ALDC	304 SS		
Code	Dial Size	Repeatability			
40	100mm	±2.0% of Full Scale			
60	150mm	±2.0% of Full Scale			
Code	Mounting Type	40	60		
A	Bottom Connection	●	●		
B	Lower Back Connection Stem Mounting	●	●		
Code	Process Connection Style	40	60		
2	PT ("R" in ISO Standard)	●	●		
3	PF ("G" in ISO Standard)	▲	▲		
4	NPT	●	●		
0	Others	☞	☞		
Code	Process Connection Size	40	60		
D	3/8"	▲	▲		
F	1/2"	●	●		
X	Others	☞	☞		
Code	Range	40	60		
XXX	Refer to the Temperature Range Code Table				
Code	Capillary Length	40	60		
00	N/A	●	●		
10	1M	▲	▲		
15	1.5M	▲	▲		
20	2M	▲	▲		
30	3M	▲	▲		
40	4M	▲	▲		
50	5M	▲	▲		
60	6M	▲	▲		
XX	Others (Recommend Max Length 10M)	☞	☞		
Code	Sensor (Stem) Outer Diameter	40	60		
M8	8.0mm	●	●		
M1	10.0mm	▲	▲		
M2	12.0mm	▲	▲		
Please request for other size of stem out Diameter.					
Code	Sensor (Stem) Length				
0100	100mm	0450	450mm	0800	800mm
0150	150mm	0500	500mm	0850	850mm
0200	200mm	0550	550mm	0900	900mm
0250	250mm	0600	600mm	0950	950mm
0300	300mm	0650	650mm	1000	1000mm

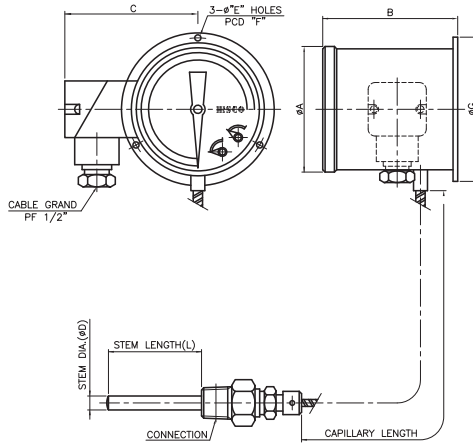
0350	350mm	0700	700mm	XXXX	Other (specify the length in mm or inch)		
0400	400mm	0750	750mm				
Code	Applicable Accessory Options					40	60
W1	With Thermowell (Refer to the accessory model 100)					▲	▲
J1	Swivel Nut					▲	▲
J2	Compression Fitting					▲	▲
J3	Adjustable Union					▲	▲
J4	Screw Union for 3/4"					▲	▲
J0	N/A					●	●
Code	Options					40	60
Test Reports							
T1	Test Report by Manufacturer					▲	▲
T2	Test Report by KOLAS (ILAC-MRA)					▲	▲
Material Option							
SM	Stem Material (316 SS)					▲	▲
Other Option							
OE	OEM Service for a specific customer					▲	▲
AC	High Accuracy ($\pm 1.0\%$ of F.S.) Calibration					▲	▲
Sample Model Selection : 601T60B2F11710M10100J0							
* The standard specification and price are subject to change without prior notice							

Indicating Temperature Switches (601T (Single Set Point), 602T (Dual Set Point) Series)

TYPE-A



TYPE-B



[UNIT : mm]

Code	Dial Size	Type	A	B	C	E	F	G
40	ø100	A,B	115	115	85	5.5	115	127
60	ø150	A,B	173	116	100	5.5	171	190

HISCO HISCO, INC.

15-5, Yangpyeong-dong, 4-ga, Yeongdeungpo-gu, 150-866 Seoul, Korea
T : 82-2-2677-6046 F : 82-2-2672-1873 <http://www.hiscoi.com>