

# Euro Type Gas Insertion Electric Contact Thermometers(421T(H), 422T(L), 423T(H&L), 424T(H&HH) & 425T(L&LL) Series)

## Applications

- Where signal is required(audible or visual alarm)
- Corrosive or non-corrosive media
- Heating and plumbing
- Varying ambient conditions

## Temperature Element

Insert gas expansion system(non-toxic)

## Working Range

Maximum scale value



## Standard Specification Overview

### Dial Size

100mm, 150mm

### Reference Accuracy

±2.0% of Full Scale

### Scale Ranges \*

-50 ~ 0 ~ 500°C

\* For more information, see the ordering information table.

### Process Connection

PT 1/2", NPT 1/2"

### Electric Contacts

Maximum Voltage : 250V AC

Contact Rating : 0.5A at 100V AC, 0.25A at 220V AC

### Material

Case : 304 SS

Ring(Cover) : 304 SS

Connection : 321 SS

Stem : 316 SS

Window : Glass

Dial : White Aluminum with Black Graduations

Pointer : Aluminum Alloy, Black Finished

### Optional Extra

Code T1 : Test Report by Manufacturer

Code T2 : Test Report by KOLAS(ILAC-MRA)

Code Z0 : Drag Pointer

Code OE : OEM Service for a specific customer

## Special Notes

1. "0" adjustable : None

## Ordering Information for 421T Series

Model	Description	Case & Ring	Stem Material				
421T	Euro Type Gas Insertion Electric Contact Thermometers	304SS	304SS				
Code	Dial Size	Accuracy					
25	63mm	±1.0% of Full Scale					
35	80mm	±1.0% of Full Scale					
40	100mm	±1.0% of Full Scale					
60	160mm	±1.0% of Full Scale					
10	250mm	±1.0% of Full Scale					
Code	Mounting Type	25	35	40	60	10	
A	Bottom Connection Stem Mounting	■	■	■	■	■	
B	Bottom Connection Remote Surface Mounting	■	■	■	■	■	
D	Center Back Connection Stem Mounting	■	■	■	■	■	
F	Center Back Connection Stem Flush Mounting	■	■	■	■	■	
Code	Process Connection Style	25	35	40	60	10	
2	PT("R" in ISO Standard)	■	■	■	■	■	
3	PF("G" in ISO Standard)	★	★	★	★	★	
4	NPT	■	■	■	■	■	
0	Others	☎	☎	☎	☎	☎	
Code	Process Connection Size	25	35	40	60	10	
D	3/8"	★	★	★	★	★	
F	1/2"	■	■	■	■	■	
H	3/4"	★	★	★	★	★	
X	Others	☎	☎	☎	☎	☎	
Code	Range	25	35	40	60	10	
XXX	Refer to the Temperature Range Code Table	■	■	■	■	■	
Code	Connection Material	25	35	40	60	10	
S	316SS	■	■	■	■	■	
Code	Capillary Length	25	35	40	60	10	
00	N/A	■	■	■	■	■	
10	1M	■	■	■	■	■	
15	1.5M	■	■	■	■	■	
20	2M	■	■	■	■	■	
30	3M	■	■	■	■	■	
40	4M	■	■	■	■	■	
50	5M	■	■	■	■	■	
60	6M	■	■	■	■	■	
XX	others	☎	☎	☎	☎	☎	

Code	Sensor(Stem) Outer Diameter	25	35	40	60	10
M6	6.4 mm	★	★	★	★	★
M8	8.0 mm	■	■	■	■	■
M1	10.0 mm	■	■	■	■	■
M2	12.0mm	■	■	■	■	■

Code	Sensor(Stem) Length, including socket length					
0075	75mm	0400	400mm	0750	750mm	
0100	100mm	0450	450mm	0800	800mm	
0150	150mm	0500	500mm	0850	850mm	
0200	200mm	0550	550mm	0900	900mm	
0250	250mm	0600	600mm	0950	950mm	
0300	300mm	0650	650mm	1000	1000mm	
0350	350mm	0700	700mm	XXXX	Other(specify the length in mm or inch)	

Code	Applicable Accessory Options	25	35	40	60	10
W1	with Thermowell (Refer to the accessory model 100)	★	★	★	★	★
J1	Swivel Nut	★	★	★	★	★
J2	Compression Fitting	★	★	★	★	★
J3	Adjustable Union	★	★	★	★	★
J4	Screw Union for 3/4"	★	★	★	★	★
J0	N/A	■	■	■	■	■

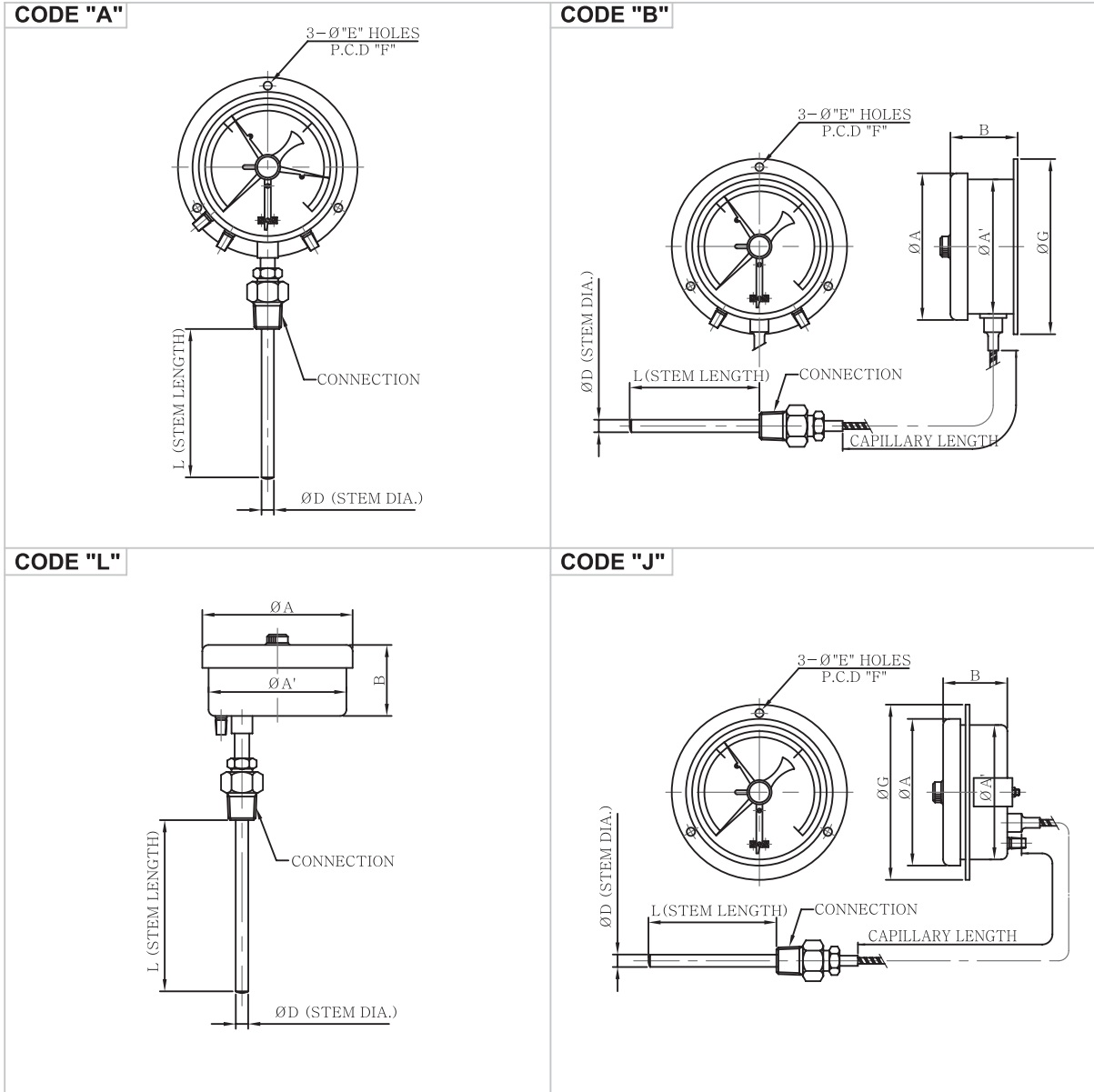
  

Code	Options	25	35	40	60	10
Test Reports						
T1	Test Report by Manufacturer	★	★	★	★	★
T2	Test Report by KOLAS(ILAC-MRA)	★	★	★	★	★
Other Option						
ZA	"0" adjustable	★	★	★	★	★
OE	OEM Service for a specific customer	★	★	★	★	★

Sample Model Selection : 411T40A2F117S1HP00M10100J0

■ = Standard Products    ★ = Available    NA = Not Available

## ■ Euro Type Gas Insertion Electric Contact Thermometers (421T(H), 422T(L), 423T(H&L), 424T(H&HH) & 425T(L&LL) Series)



Code	Dial Size	Type	A	A'	B	E	F	G
40	ø100	A,B,L,J	111	101	53	5.5	115	128
60	ø150	A,B,L,J	170	153	55	5.5	174	190

### HISCO HISCO, INC.

Agent : BWFA  
672, Hosu-ro, Ilsandong-gu, Goyang-si, Gyeonggi-do, Korea  
T : 82-31-813-8562 F : 82-31-629-7856 E-mail : bwfalee@daum.net <http://www.bwfa.co.kr>