

Bimetal Type Electric Contact Thermometers (401T(H), 402T(L), 403T(H&L), 404T(H&HH) & 405T(L&LL) Series)



Applications

- Where signal is required (audible or visual alarm)
- Corrosive or non-corrosive media
- Heating and plumbing
- Varying ambient conditions

Temperature Element

Coiled bimetal

Working Range

Maximum scale value

Standard Specification Overview

Dial Size

100mm

Reference Accuracy

±1.0% of Full Scale (0 up to 200°C)

±2.0% of Full Scale

Scale Ranges *

-50 ~ 0 ~ 500°C

* For more information, see the ordering information table.

Process Connection

PT 1/2", NPT 1/2"

Electric Contacts

Maximum Voltage : 250V AC

Contact Rating : 0.5A at 100V AC, 0.25A at 220V AC

Material

Case : 304 SS

Ring (Cover) : 304 SS

Connection : 304 SS

Stem : 304 SS

Window : Polycarbonate

Dial : White Aluminum with Black Graduations

Pointer : Aluminum Alloy, Black Finished

Optional Extra

Code T1 : Test Report by Manufacturer

Code T2 : Test Report by KOLAS (ILAC-MRA)

Code OE : OEM Service for a specific customer

Special Notes

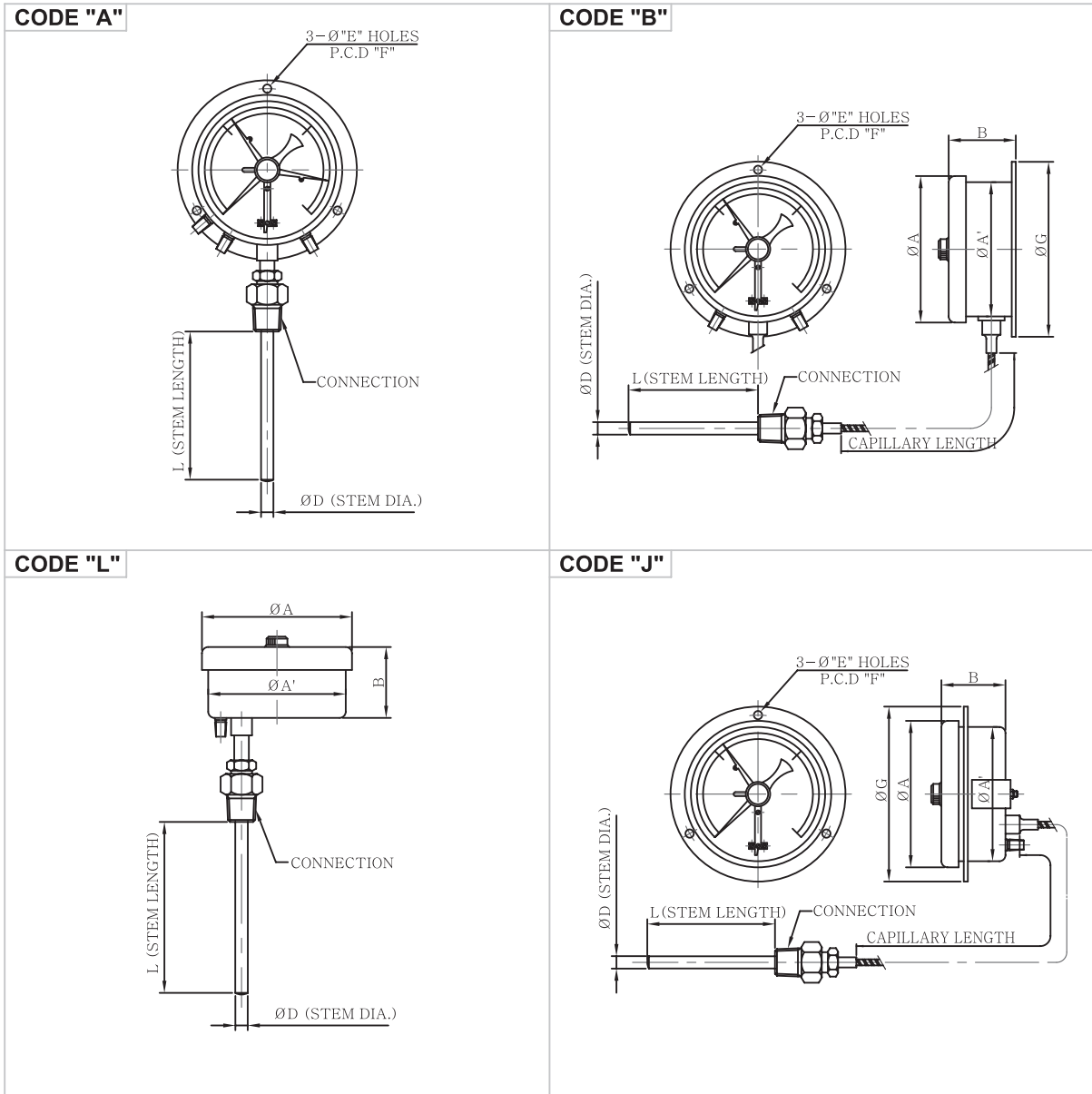
1. Internal "0" adjustable

Ordering Information for 401T Series

| Model | Description | Case & Ring | Stem Material | Contact Location | |
|-------|--|---------------------|---------------|----------------------------|---|
| 401T | Bimetal Type Electric Contact Thermometer | 304 SS | 304 SS | One High Contact Point(H) | |
| 402T | Bimetal Type Electric Contact Thermometer | 304 SS | 304 SS | One Low Contact Point(L) | |
| 403T | Bimetal Type Electric Contact Thermometer | 304 SS | 304 SS | Two Contact Points(H & L) | |
| 404T | Bimetal Type Electric Contact Thermometer | 304 SS | 304 SS | Two Contact Points(H & HH) | |
| 405T | Bimetal Type Electric Contact Thermometer | 304 SS | 304 SS | Two Contact Points(L & LL) | |
| Code | Dial Size | Accuracy | | | |
| 40 | 100mm | ±2.0% of Full Scale | | | |
| Code | Mounting Type | 40 | | | |
| A | Bottom Connection Stem Mounting | ■ | | | |
| C | Center Back Connection Stem Mounting | ■ | | | |
| Code | Process Connection Style | 40 | | | |
| 2 | PT("R" in ISO Standard) | ■ | | | |
| 3 | PF("G" in ISO Standard) | ★ | | | |
| 4 | NPT | ■ | | | |
| 0 | Others | ☎ | | | |
| Code | Process Connection Size | 40 | | | |
| D | 3/8" | ★ | | | |
| F | 1/2" | ■ | | | |
| H | 3/4" | ★ | | | |
| X | Others | ☎ | | | |
| Code | Range | | | | |
| XXX | Refer to the Temperature Range Code Table | | | | |
| Code | Process Connection Material | 40 | | | |
| F | 304SS | ■ | | | |
| S | 316SS | ■ | | | |
| Code | Sensor(Stem) Outer Diameter | 40 | | | |
| M6 | 6.4 mm | ■ | | | |
| M8 | 8.0 mm | ■ | | | |
| M1 | 10.0 mm | ■ | | | |
| Code | Sensor(Stem) Length, including socket length | | | | |
| 0075 | 75mm | 0400 | 400mm | 0750 | 750mm |
| 0100 | 100mm | 0450 | 450mm | 0800 | 800mm |
| 0150 | 150mm | 0500 | 500mm | 0850 | 850mm |
| 0200 | 200mm | 0550 | 550mm | 0900 | 900mm |
| 0250 | 250mm | 0600 | 600mm | 0950 | 950mm |
| 0300 | 300mm | 0650 | 650mm | 1000 | 1000mm |
| 0350 | 350mm | 0700 | 700mm | XXXX | Other(specify the length in mm or inch) |

| Code | Applicable Accessory Options | 40 |
|--|--|----|
| W1 | with Thermowell (Refer to the accessory model 100) | ★ |
| J1 | Swivel Nut | ★ |
| J2 | Compression Fitting | ★ |
| J3 | Adjustable Union | ★ |
| J4 | Screw Union for 3/4" | ★ |
| J0 | N/A | ■ |
| Code | Other Options | 40 |
| Test Reports | | |
| T1 | Test Report by Manufacturer | ★ |
| T2 | Test Report by KOLAS(ILAC-MRA) | ★ |
| Material Option | | |
| SM | Stem Material(316 SS) | ★ |
| Other Option | | |
| OE | OEM Service for a specific customer | ★ |
| Sample Model Selection : 401T40A2F117FM80100J0 | | |
| ■ = Standard Products ★ = Available NA = Not Available | | |

■ Bimetal Type Electric Contact Thermometers (401T(H), 402T(L), 403T(H&L), 404T(H&HH) & 405T(L&LL) Series)



| Code | Dial Size | Type | A | A' | B | E | F | G |
|------|-----------|---------|-----|-----|----|-----|-----|-----|
| 40 | ø100 | A,B,L,J | 111 | 101 | 53 | 5.5 | 115 | 128 |
| 60 | ø150 | A,B,L,J | 170 | 153 | 55 | 5.5 | 174 | 190 |

HISCO HISCO, INC.

Agent: BWFA
 672, Hosu-ro, Ilsandong-gu, Goyang-si, Gyeonggi-do, Korea
 T: 82-31-813-8562 F: 82-31-629-7856 E-mail: bwfalee@daum.net http://www.bwfa.co.kr