

Euro Type Adjustable Gas Insertion Thermometers(343T Series)



Applications

- Corrosive, Non-corrosive media
- Chemical process, petroleum food industry
- Machine and plant engineering
- Piping, pressure vessels and industrial heating
- Varying ambient condition

Temperature Element

Insert gas expansion system(non-toxic)

Working Range

Maximum scale value

Standard Specification Overview

Dial Size

63mm, 80mm, 100mm, 160mm, 250mm

Reference Accuracy

±1.0% of Full Scale(0 up to 200°C)

Scale Ranges *

-200 ~ 0 ~ 800°C

* For more information, see the ordering information table.

Process Connection

BSP 1/2", NPT 1/2"

Material

Case : 304 SS

Ring(Cover) : 304 SS

Connection : 304 SS

Stem : 321 SS

Window : Glass

Dial : White Aluminum with Black Graduations

Pointer : Aluminum Alloy, Black Finished

Optional Extra

Code T1 : Test Report by Manufacturer

Code T2 : Test Report by KOLAS(ILAC-MRA)

Code Z0 : Drag Pointer

Code F2 : Liquid Filled(Glycerine)

Code F4 : Liquid Filled(Silicone)

Special Notes

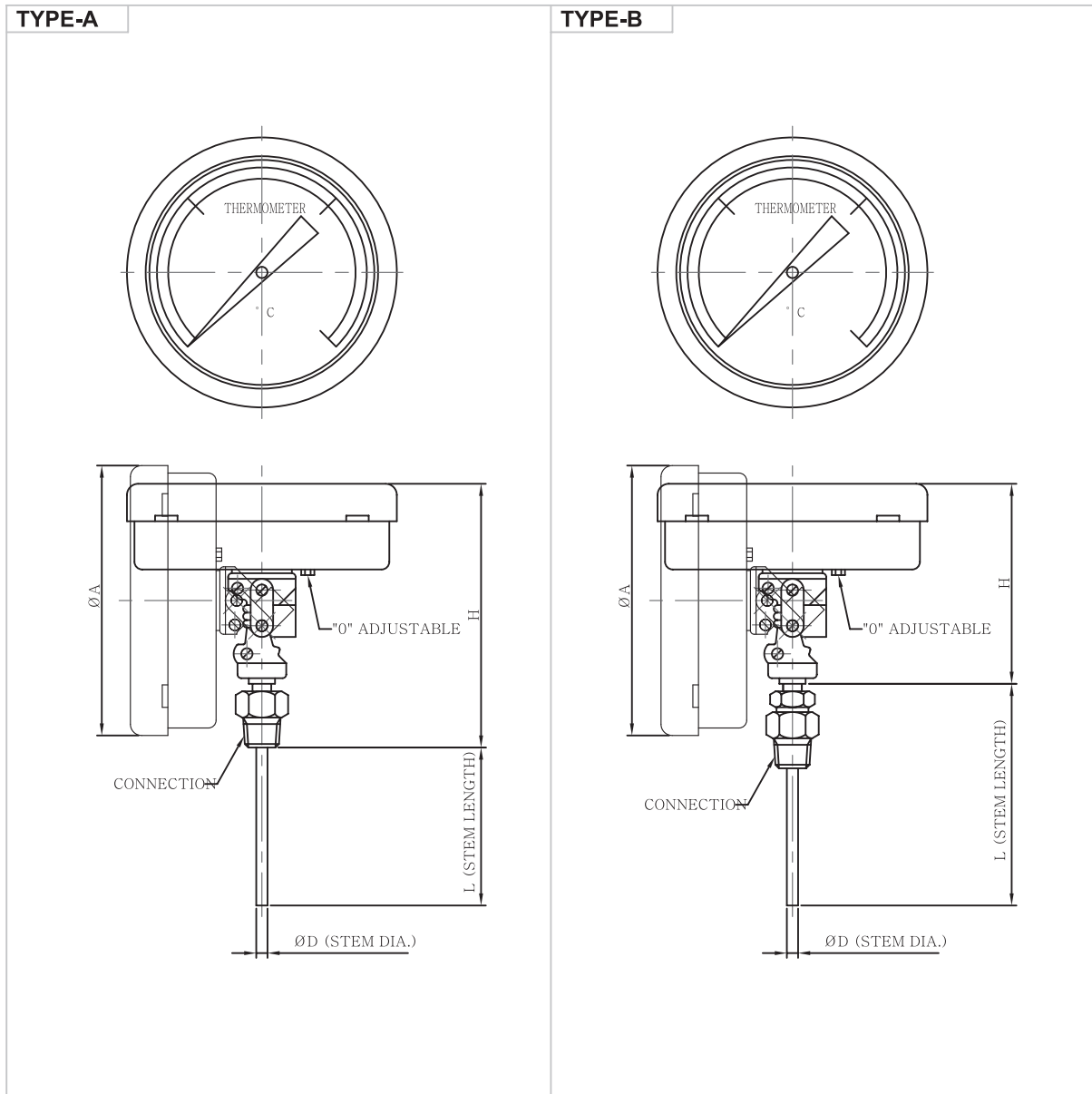
1. External "0" adjustable

Ordering Information for 343T Series

Model	Description	Case & Ring		Connection / Stem		
343T	Euro Type Adjustable Gas Insertion Thermometers	304 SS		321 SS / 321 SS		
Code	Dial Size	Accuracy				
25	63mm	±1.0% of Full Scale				
35	80mm	±1.0% of Full Scale				
40	100mm	±1.0% of Full Scale				
65	160mm	±1.0% of Full Scale				
10	250mm	±1.0% of Full Scale				
Code	Mounting Type	25	35	40	65	10
A	Adjustable Bottom Connection Stem Mounting	■	■	■	■	■
Code	Process Connection Style	25	35	40	65	10
2	PT("R" in ISO Standard)	★	★	★	★	★
4	NPT	■	■	■	■	■
5	BSP	■	■	■	■	■
0	Others	☎	☎	☎	☎	☎
Code	Process Connection Size	25	35	40	65	10
C	1/4"	★	★	★	★	★
D	3/8"	★	★	★	★	★
F	1/2"	■	■	■	■	■
H	3/4"	★	★	★	★	★
Code	Range	25	35	40	65	10
XXX	Refer to the Temperature Range Code Table	■	■	■	■	■
Code	Sensor(Stem) Outer Diameter	25	35	40	65	10
M8	8.0 mm	■	■	■	■	■
M2	12.0mm	■	■	■	■	■
M9	15.0mm	■	■	■	■	■
Code	Sensor(Stem) Length, including socket length					
0075	75mm	0400	400mm	0750	750mm	
0100	100mm	0450	450mm	0800	800mm	
0150	150mm	0500	500mm	0850	850mm	
0200	200mm	0550	550mm	0900	900mm	
0250	250mm	0600	600mm	0950	950mm	
0300	300mm	0650	650mm	1000	1000mm	
0350	350mm	0700	700mm	XXXX	Other(specify the length in mm or inch)	

Code	Applicable Accessory Options	25	35	40	65	10
W1	with Thermowell(Refer to the accessory model 100)	■	■	■	■	■
J1	Swivel Nut	★	★	★	★	★
J2	Compression Fitting	★	★	★	★	★
J3	Adjustable Union	★	★	★	★	★
J4	Screw Union for 3/4"	★	★	★	★	★
J0	N/A	★	★	★	★	★
Code	Other Options	25	35	40	65	10
Test Reports						
T1	Test Report by Manufacturer	★	★	★	★	★
T2	Test Report by KOLAS(ILAC-MRA)	★	★	★	★	★
Other Option						
ZA	"0" adjustable	★	★	★	★	★
F2	Liquid Filled(Glycerine)	★	★	★	★	★
F4	Liquid Filled(Silicone)	★	★	★	★	★
Sample Model Selection : 343T40A4F117M80100J0						
■ = Standard Products ★ = Available NA = Not Available						

■ Euro Type Adjustable Gas Insertion Thermometers (343T Series)



Code	Dial Size	Type	A	B	H	Code	Dial Size	Type	A	B	H
30	ø75	A	84	18	92	30	ø75	B	84	18	90.5
40	ø100		111	20	95	40	ø100		111	20	93.5
50	ø125		128	16	100	50	ø125		128	16	98.5
60	ø150		174	27	104	60	ø150		174	27	102.5

HISCO HISCO, INC.

Agent: BWFA
 672, Hosu-ro, Ilsandong-gu, Goyang-si, Gyeonggi-do, Korea
 T: 82-31-813-8562 F: 82-31-629-7856 E-mail: bwfalee@daum.net http://www.bwfa.co.kr