

Liquid Filled Thermometers(303T Series)



Applications

- Shipbuilding industry
- Corrosive, Non-corrosive media
- Chemical process, petroleum food industry
- Machine and plant engineering
- Piping, pressure vessels and industrial heating
- Varying ambient condition

Temperature Element

Liquid Filled System

Working Range

Maximum scale value



Standard Specification Overview

Dial Size

100mm

Reference Accuracy

±2.0% of Full Scale

Scale Ranges *

-50 ~ 0 ~ 500°C

* For more information, see the ordering information table.

Process Connection

PT("R" in ISO) 1/2", NPT 1/2"

Material

Case : 304 SS

Ring(Cover) : 304 SS

Connection : 304 SS

Stem : 316 SS

Window : Glass

Dial : White Aluminum with Black Graduations

Pointer : Aluminum Alloy, Black Finished

Optional Extra

Code T1 : Test Report by Manufacturer

Code T2 : Test Report by KOLAS(ILAC-MRA)

Code P2 : Protection Cover(Polycarbonate)

Code F2 : Liquid Filled(Glycerine)

Code F4 : Liquid Filled(Silicone)

Code MB : Mounting Board

Special Notes

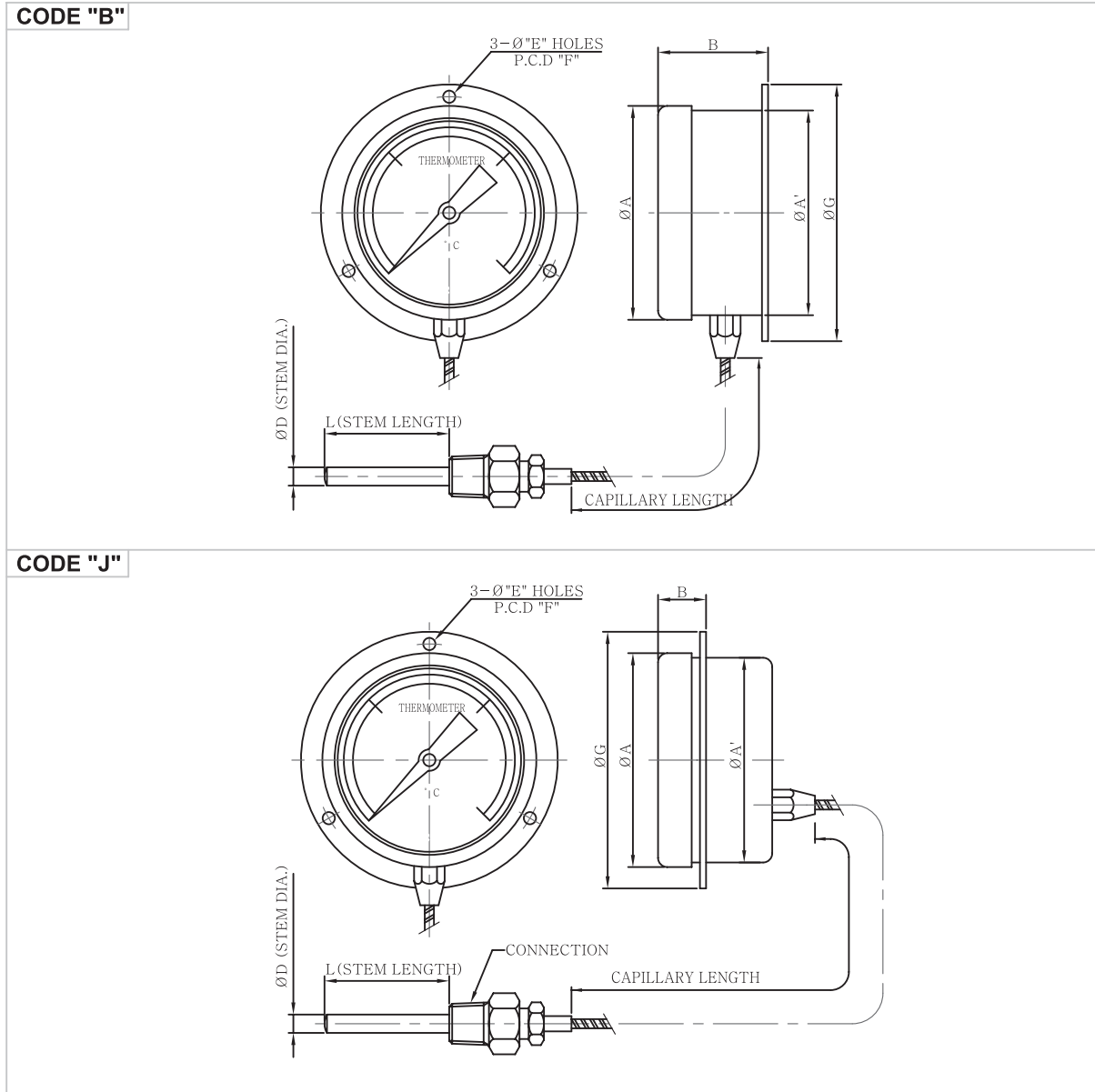
1. "0" adjustable : None

Ordering Information for 303T Series

Model	Description	Case & Ring	Stem Material		
303T	Liquid Filled Thermometers	304SS	316SS		
Code	Dial Size	Accuracy			
40	100mm	±2.0% of Full Scale			
Code	Mounting Type		40		
A	Bottom Connection Stem Mounting		■		
J	Lower Back Connection Remote Flush Mounting		■		
Code	Process Connection Style		40		
2	PT("R" in ISO Standard)		★		
3	PF("G" in ISO Standard)		■		
4	NPT		★		
Code	Process Connection Size		40		
D	3/8"		★		
F	1/2"		■		
Code	Range		40		
XXX	Refer to the Temperature Range Code Table		■		
Code	Process Connection Material		40		
B	Chrome Coated Brass		★		
F	304SS		■		
S	316SS		★		
Code	Capillary length		40		
00	None		★		
10	1M		■		
15	1.5M		■		
20	2M		■		
30	3M		■		
40	4M		■		
50	5M		■		
60	6M		■		
XX	Others		☒		
Code	Sensor(Stem) Outer Diameter		40		
M8	8.0 mm		★		
M1	10.0 mm		★		
M2	12.0mm		■		
Code	Sensor(Stem) Length, including socket length				
0075	75mm	0400	400mm	0750	750mm
0100	100mm	0450	450mm	0800	800mm
0150	150mm	0500	500mm	0850	850mm
0200	200mm	0550	550mm	0900	900mm
0250	250mm	0600	600mm	0950	950mm
0300	300mm	0650	650mm	1000	1000mm
0350	350mm	0700	700mm	XXXX	Other(specify the length in mm or inch)

Code	Applicable Accessory Options	40
W1	with Thermowell(Refer to the accessory model 100)	■
J1	Swivel Nut	★
J2	Compression Fitting	★
J3	Adjustable Union	★
J4	Screw Union for 3/4"	★
J0	N/A	★
Code	Options	40
Test Reports		
T1	Test Report by Manufacturer	★
T2	Test Report by KOLAS(ILAC-MRA)	★
Other Option		
P2	Protection Cover(Polycarbonate)	■
F2	Liquid Filled(Glycerine)	■
F4	Liquid Filled(Silicone)	★
MB	Mounting Board	■
Sample Model Selection : 303T40J3F117F50M20100J0P2F2MB		
■ = Standard Products ★ = Available NA = Not Available		

■ Liquid Filled Thermometers(303T Series)



Code	Dial Size	Type	A	A'	B	E	F	G	H
30	ø75	B,J	88	80	49	4.5	92	101	84
40	ø100	B,J	111	101	53	5.5	115	128	97
60	ø150	B,J	170	153	55	5.5	174	190	125

HISCO HISCO, INC.

Agent: BWFA
 672, Hosu-ro, Ilsandong-gu, Goyang-si, Gyeonggi-do, Korea
 T: 82-31-813-8562 F: 82-31-629-7856 E-mail: bwfalee@daum.net http://www.bwfa.co.kr