

# Industrial Service Bimetal Thermometer with Filled Fluid (205T Series)



## Applications

- Corrosive media
- Chemical process, petroleum food industry
- Machine and plant engineering
- Piping, pressure vessels and industrial heating

## Temperature Element

Coiled bimetal

## Working Range

Maximum scale value



## Standard Specification Overview

### Dial Size

75mm, 100mm, 125mm, 150mm

### Reference Accuracy

±2.0% of Full Scale

### Scale Ranges \*

-50 ~ 0 ~ 500°C

\* For more information, see the ordering information table.

### Process Connection

PT("R" in ISO) 1/2", NPT 1/2"

### Filled Fluid

Glycerine, Silicone

### Material

Case : 304 SS

Ring(Cover) : 304 SS

Connection : 304 SS

Stem : 304 SS

Window : Glass

Dial : White Aluminum with Black Graduations

Pointer : Aluminum Alloy, Black Finished

### Optional Extra

Code T1 : Test Report by Manufacturer

Code T2 : Test Report by KOLAS (ILAC-MRA)

Code SM : Stem Material (316 SS)

Code ZA : '0' adjustable

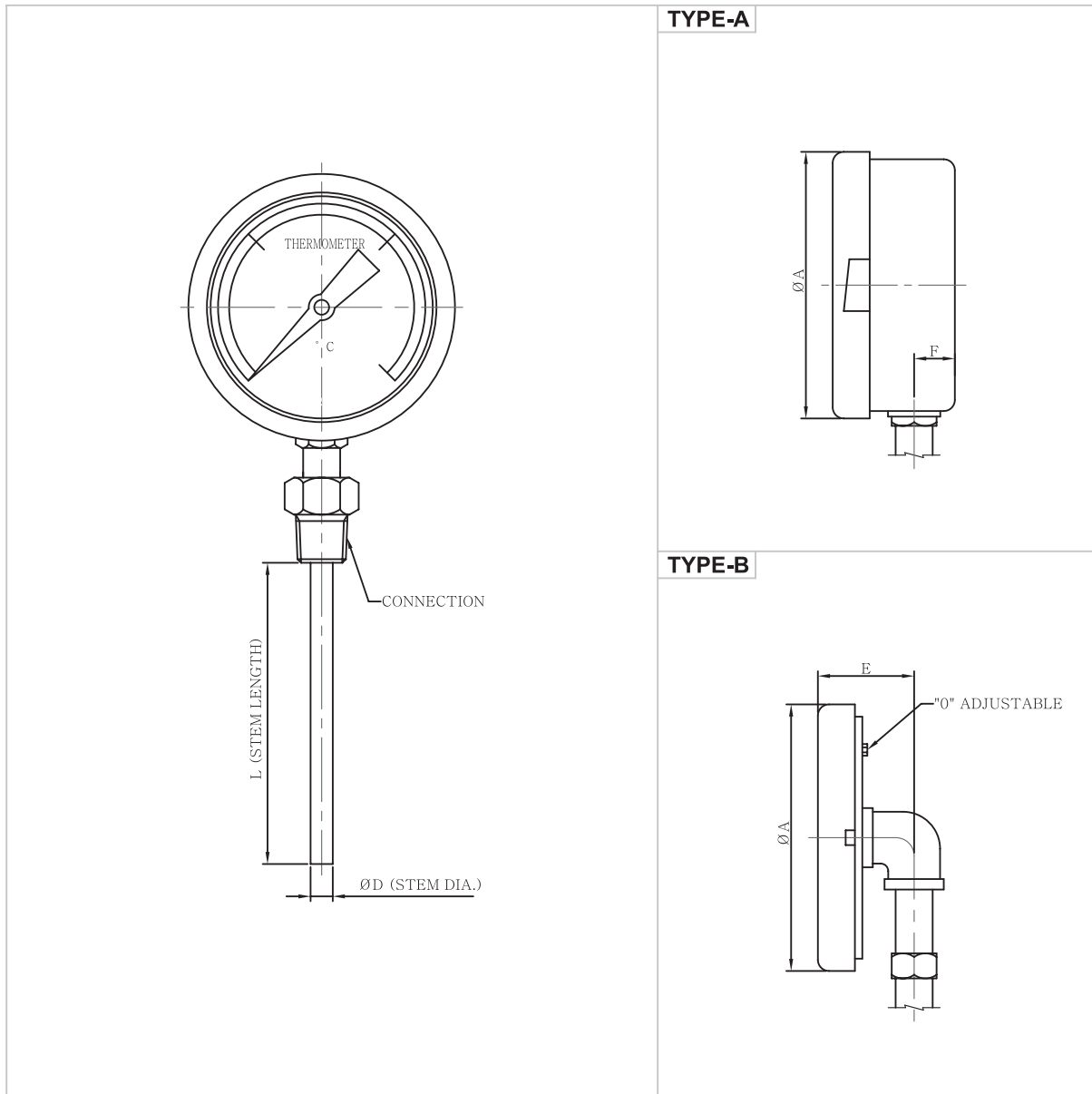
Code OE : OEM Service for a specific customer

## Ordering Information for 205 Series

Model	Description	Case & Ring		Connection / Stem	
205T	Industrial Service Bimetal Thermometer with Filled Fluid	304 SS		304 SS / 304 SS	
Code	Dial Size	Accuracy			
30	75mm	±2.0% of Full Scale			
40	100mm	±2.0% of Full Scale			
50	125mm	±2.0% of Full Scale			
60	150mm	±2.0% of Full Scale			
Code	Mounting Type	30	40	50	60
A	Bottom Connection Stem Mounting	■	■	■	■
D	Center Back Connection Stem Mounting	■	■	■	■
Code	Process Connection Style	30	40	50	60
2	PT("R" in ISO Standard)	■	■	■	■
3	PF("G" in ISO Standard)	★	★	★	★
4	NPT	■	■	■	■
0	Others	☎	☎	☎	☎
Code	Process Connection Size	30	40	50	60
D	3/8"	★	★	★	★
F	1/2"	■	■	■	■
X	Others	☎	☎	☎	☎
Code	Range	30	40	50	60
XXX	Refer to the Temperature Range Code Table	■	■	■	■
Code	Sensor(Stem) Outer Diameter	30	40	50	60
M4	4.0 mm	★	★	★	★
M5	5.0 mm	★	★	★	★
M6	6.4 mm	■	■	■	■
M8	8.0 mm	★	★	★	★
M1	10.0 mm	★	★	★	★
Code	Sensor(Stem) Length, including socket length				
0075	75mm	0400	400mm	0750	750mm
0100	100mm	0450	450mm	0800	800mm
0150	150mm	0500	500mm	0850	850mm
0200	200mm	0550	550mm	0900	900mm
0250	250mm	0600	600mm	0950	950mm
0300	300mm	0650	650mm	1000	1000mm
0350	350mm	0700	700mm	XXXX	Other(specify the length in mm or inch)
Code	Applicable Accessory Options	30	40	50	60
W1	with Thermowell(Refer to the accessory model 100)	★	★	★	★
J1	Swivel Nut	★	★	★	★
J2	Compression Fitting	★	★	★	★
J3	Adjustable Union	★	★	★	★
J4	Screw Union for 3/4"	★	★	★	★
J0	N/A	■	■	■	■

Code	Other Options	30	40	50	60
Test Reports					
T1	Test Report by Manufacturer	★	★	★	★
T2	Test Report by KOLAS(ILAC-MRA)	★	★	★	★
Material Option					
SM	Stem Material(316 SS)	★	★	★	★
Other Option					
ZA	"0" adjustable	★	★	★	★
OE	OEM Service for a specific customer	★	★	★	★
F4	Liquid Filled(Silicone)	★	★	★	★
Sample Model Selection : 205T40A2F117M60100J0					
■ = Standard Products    ★ = Available    NA = Not Available					

## Industrial Service Bimetal Thermometer with Filled Fluid (205T Series)



Code	Dial Size	Type	A	B	C	E	F
30	ø75	A,D	84	18	31	-	15
40	ø100	A,D	111	20	31	40	15
50	ø125	A,D	128	16	39	-	15
60	ø150	A,D	174	27	62	-	20

### HISCO HISCO, INC.

Agent: BWFA  
 672, Hosu-ro, Ilsandong-gu, Goyang-si, Gyeonggi-do, Korea  
 T: 82-31-813-8562 F: 82-31-629-7856 E-mail: bwfalee@daum.net http://www.bwfa.co.kr