

Industrial Service Bimetal Thermometer (201T Series) Industrial Service Liquid Filled Bimetal Thermometer (205T Series)

Applications

- Corrosive media
- Chemical process, petroleum food industry
- Machine and plant engineering
- Piping, pressure vessels and industrial heating

Temperature Element

- Coiled bimetal

Working Range

- Maximum scale value



Standard Specification Overview

Dial Size

- 75mm, 100mm, 125mm, 150mm

Reference Accuracy

- $\pm 2.0\%$ of Full Scale

Scale Ranges

- $-50 \sim 0 \sim 650^{\circ}\text{C}$

* For more information, see the ordering information table.

Process Connection

- PT ("R" in ISO) 1/2", NPT 1/2"

Material

- Case : 304 SS
- Ring (Cover) : 304 SS
- Connection : 304 SS
- Stem : 304 SS
- Window : Glass
- Dial : White Aluminum with Black Graduations
- Pointer : Aluminum Alloy, Black Finished
- Liquid Filled : 205T (Silicone)

Optional Extra

- Test Report by Manufacturer
- Test Report by KOLAS (ILAC-MRA)
- Stem Material (316 SS)
- '0' adjustable (Only Type 'D')
- OEM Service for a specific customer
- High Accuracy ($\pm 1.0\%$ of F.S.) Calibration

Ordering Information for 201T & 205T Series

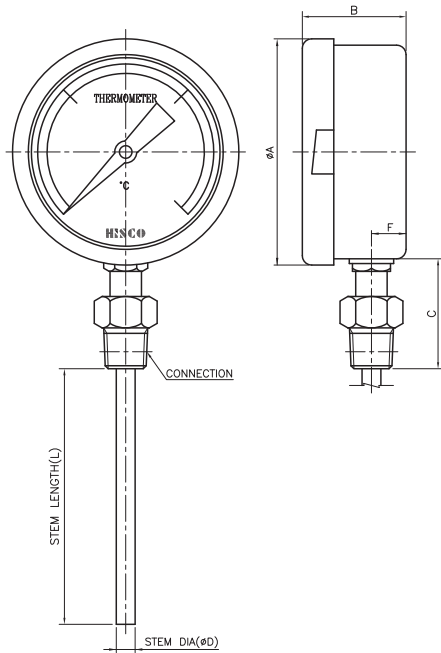
● = Standard Products ▲ = Available NA = Not Available

Model	Description	Case & Ring	Connection /Stem			
201T	Industrial Service Bimetal Thermometer	304 SS	304 SS / 304 SS			
205T	Industrial Service Liquid Filled Bimetal Thermometer	304 SS	304 SS / 304 SS			
Code	Dial Size	Accuracy				
30	75mm	±2.0% of Full Scale				
40	100mm	±2.0% of Full Scale				
50	125mm	±2.0% of Full Scale				
60	150mm	±2.0% of Full Scale				
Code	Mounting Type	30	40	50	60	
A	Bottom Connection Stem Mounting	●	●	●	●	
D	Center Back Connection Stem Mounting	●	●	●	●	
Code	Process Connection Style	30	40	50	60	
2	PT ("R" in ISO Standard)	●	●	●	●	
3	PF ("G" in ISO Standard)	▲	▲	▲	▲	
4	NPT	●	●	●	●	
0	Others	☺	☺	☺	☺	
Code	Process Connection Size	30	40	50	60	
D	3/8"	▲	▲	▲	▲	
F	1/2"	●	●	●	●	
X	Others	☺	☺	☺	☺	
Code	Range	30	40	50	60	
XXX	Refer to the Temperature Range Code Table	●	●	●	●	
Code	Sensor (Stem) Outer Diameter	30	40	50	60	
M6	6.4mm	●	●	●	●	
M8	8.0mm	▲	▲	▲	▲	
M1	10.0mm	▲	▲	▲	▲	
Please request for other size of stem out Diameter.						
Code	Sensor (Stem) Length					
0075	75mm					
0100	100mm					
0150	150mm					
0400	400mm					
0450	450mm					
0500	500mm					
XXXX	Other (specify the length in mm or inch)					
Code	Applicable Accessory Options	30	40	50	60	
W1	With Thermowell (Refer to the accessory model 100)	▲	▲	▲	▲	
J1	Swivel Nut (Nut Female)	▲	▲	▲	▲	
J2	Compression Fitting	▲	▲	▲	▲	
J3	Adjustable Union	▲	▲	▲	▲	

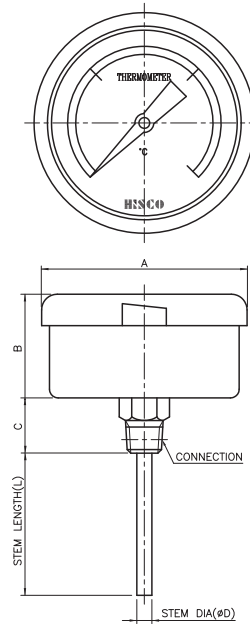
J4	Screw Union for 3/4"	▲	▲	▲	▲
J0	N/A	●	●	●	●
Code	Other Options	30	40	50	60
Test Reports					
T1	Test Report by Manufacturer	▲	▲	▲	▲
T2	Test Report by KOLAS (ILAC-MRA)	▲	▲	▲	▲
Material Option					
SM	Stem Material (316 SS)	▲	▲	▲	▲
S6	316 SS Case & Cover (Ring)	▲	▲	▲	▲
Other Option					
ZA	'0' adjustable (Only Type 'D')	▲	▲	▲	▲
OE	OEM Service for a specific customer	▲	▲	▲	▲
AC	High Accuracy ($\pm 1.0\%$ of F.S.) Calibration	▲	▲	▲	▲
Sample Model Selection : 201T40A2F117M60100J0					
* The standard specification and price are subject to change without prior notice					

Industrial Service Bimetal Thermometer (201T, 205T Series)

TYPE-A



TYPE-D



(UNIT : mm)

Code	Dial Size	A	B	C	F
30	φ75	86	44	38	15
40	φ100	111	47	38	15
50	φ125	128	47	38	15
60	φ150	174	55	38	15

HISCO HISCO, INC.

15-5, Yangpyeong-dong, 4-ga, Yeongdeungpo-gu, 150-866 Seoul, Korea
 T : 82-2-2677-6046 F : 82-2-2672-1873 <http://www.hiscoi.com>